

# VKE – comfort inlet/outlet outlets



elox, lacquer

## Technical parameters

### Version

Inlet/outlet outlets with adjustable sheets with 20 mm pitch.

### Construction

The rectangular comfort outlets (including leaves) are made of Al profile coated with transparent anodizing. Burnt-in colour in basic RAL shades at extra cost, other colour variants on request.

### Installation

of the basic series grilles is carried out by means of fixing frames on the pipe or on the wall. Installation height 2.5–3.5 m

### Mounting

Standard according to mounting springs. Optional grilles with pre-drilled holes for screws, fixing with magnets or adjustable bolts. For installation in horizontal position, mounting with screws or adjustable bolts is required.

### Accessories

Plenum boxes in galvanised steel, standard or insulated. Regulating flap R1 made of galvanised steel fitted with counter-rotating control leaves. Lateral frames made of galvanised steel sheet.

WxH [mm]	VKE-V-1.0	VKE-V-2.0	VKE-H-2.0	R1	PR	PBZ-V	PBZI-V	PBZ-H	PBZI-H
200x100	•	•	•	•	•	•	•	•	•
300x100	•	•	•	•	•	•	•	•	•
400x100	•	•	•	•	•	•	•	•	•
500x100	•	•	•	•	•	•	•	•	•
* 600x100	•	•	•	•	•	•	•	•	•
* 700x100	•	•	•	•	•	•	•	•	•
* 800x100	•	•	•	•	•	•	•	•	•
* 1000x100	•	•	•	•	•	•	•	•	•
200x150	•	•	•	•	•	•	•	•	•
300x150	•	•	•	•	•	•	•	•	•
400x150	•	•	•	•	•	•	•	•	•
500x150	•	•	•	•	•	•	•	•	•
* 600x150	•	•	•	•	•	•	•	•	•
* 700x150	•	•	•	•	•	•	•	•	•
* 800x150	•	•	•	•	•	•	•	•	•
* 1000x150	•	•	•	•	•	•	•	•	•
200x200	•	•	•	•	•	•	•	•	•
300x200	•	•	•	•	•	•	•	•	•
400x200	•	•	•	•	•	•	•	•	•
500x200	•	•	•	•	•	•	•	•	•
* 600x200	•	•	•	•	•	•	•	•	•
* 700x200	•	•	•	•	•	•	•	•	•
* 800x200	•	•	•	•	•	•	•	•	•
* 1000x200	•	•	•	•	•	•	•	•	•
300x300	•	•	•	•	•	•	•	•	•
400x300	•	•	•	•	•	•	•	•	•
500x300	•	•	•	•	•	•	•	•	•
* 600x300	•	•	•	•	•	•	•	•	•
* 700x300	•	•	•	•	•	•	•	•	•
* 800x300	•	•	•	•	•	•	•	•	•
* 1000x300	•	•	•	•	•	•	•	•	•
400x400	•	•	•	•	•	•	•	•	•
500x400	•	•	•	•	•	•	•	•	•
* 600x400	•	•	•	•	•	•	•	•	•
* 700x400	•	•	•	•	•	•	•	•	•
* 800x400	•	•	•	•	•	•	•	•	•
* 1000x400	•	•	•	•	•	•	•	•	•
500x500	•	•	•	•	•	•	•	•	•
* 600x500	•	•	•	•	•	•	•	•	•
* 800x500	•	•	•	•	•	•	•	•	•
* 1000x500	•	•	•	•	•	•	•	•	•

\* centre reinforcement, • types and dimensions supplied

### Type keys for ordering

outlet

VKE-V-1,0-x 600x500 RAL9010

1 – V – vertical leaves, H – horizontal leaves  
2 – 1.0 – single row, 2.0 – double row  
3 – type of fastening

without indication = standard (springs),

1 – screws, 2 – magnets, 3 – bolts

4 – dimensions (mm)

5 – colour

without indication – uncoloured,  
RAL 9010 or 7035

regulation\*

R1 600x300

1

1 – dimensions (W x H) (mm)

back frame\*

PR 600x300

1

1 – dimensions (W x H) (mm)

\* for mounting type 3 (bolt) the use of ground frame PRs and regulation R1s is required

plenum box

PBZ-V-600x300

1 2 3

1 – type

PBZ – standard

PBZI – with external insulation

2 – connection

V – vertical

H – horizontal

3 – dimensional range of boxes

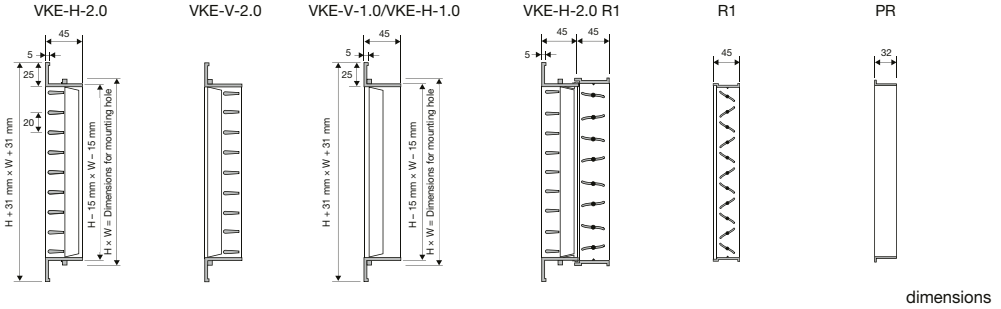
# VKE – comfort inlet/outlet outlets

**Explanatory notes:**

- VKE-V-1.0 comfortable single-row vertical outlet
- VKE-H-1.0 comfortable single-row horizontal outlet
- VKE-V-2.0 outlet comfortable two-row vertical (front leaves vertical, rear horizontal)
- VKE-H-2.0 outlet comfortable two-row horizontal (front leaves horizontal, rear vertical)

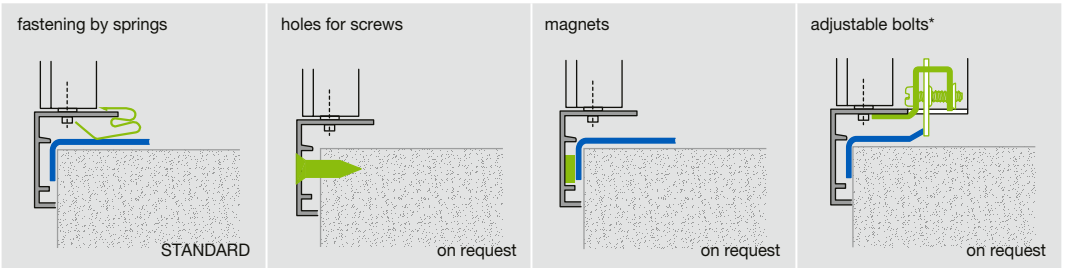
**Accessories:**

- R1 facade supply element R1
- PR back frame
- PBZ plenum box
- PBZI plenum box insulated

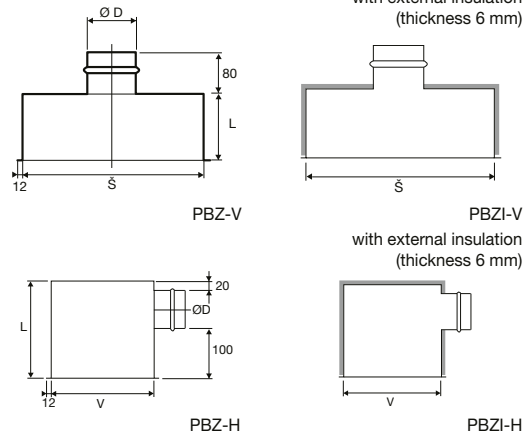
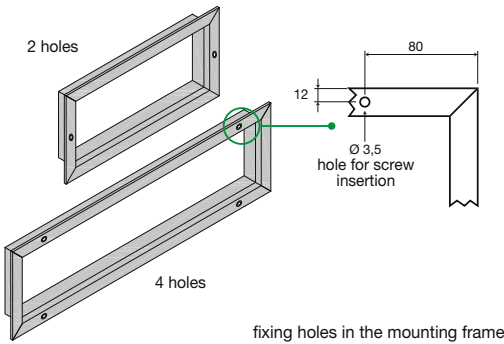


**Additional illustration**

**installation method**



\* for this installation method it is necessary use the PRs back frame



72

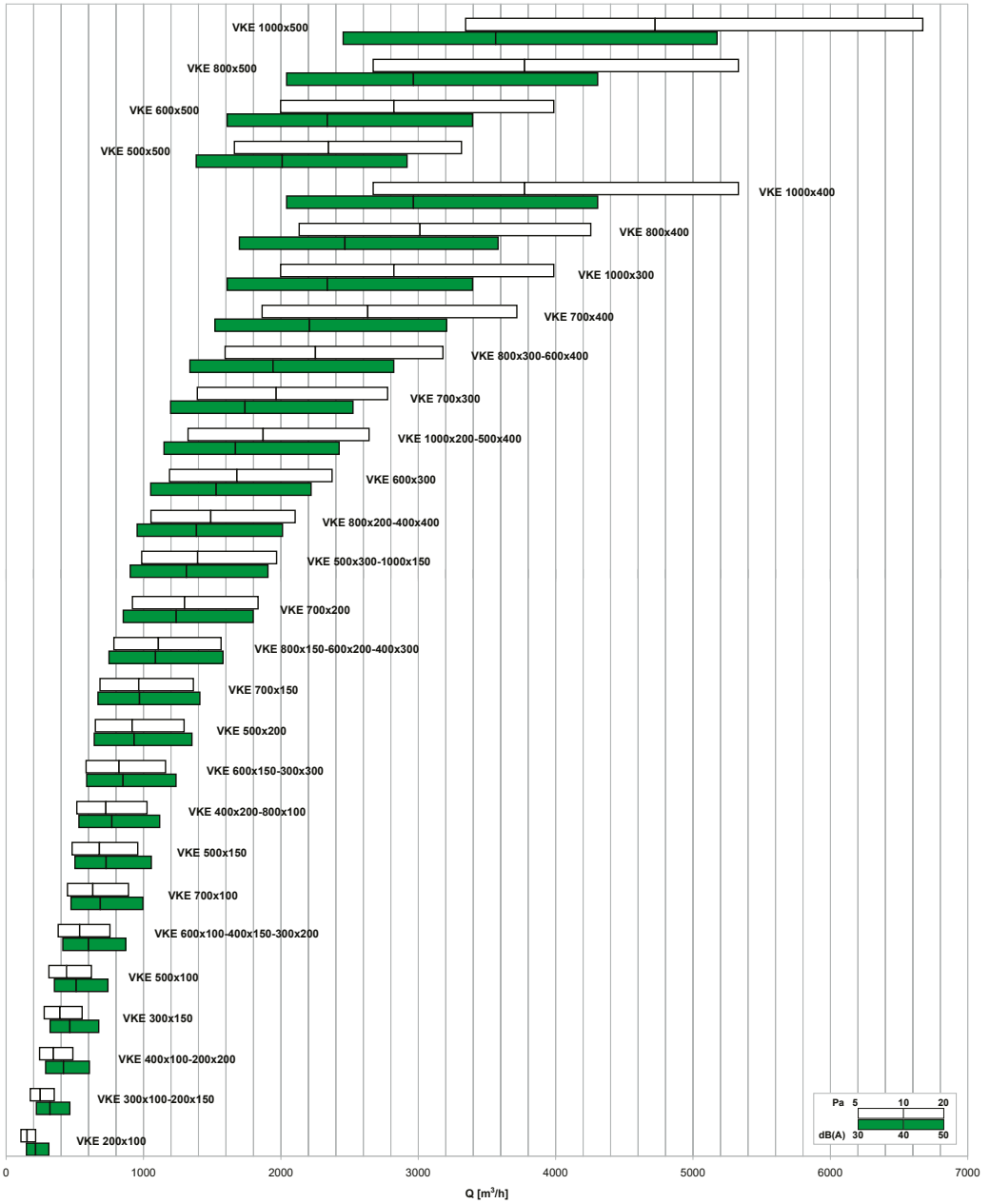
**Number of holes for mounting screws**

V – shorter page [mm]	Š – longer side [mm]				
	200	250	300	350	≥400
100	2	2	2	4	4
150	2	2	2	4	4
200	2	2	2	4	4
≥250	2	2	2	4	4

dimensions – plenum boxes

# VKE – comfort inlet/outlet outlets

Quick Design Table



72

# VKE – comfort inlet/outlet outlets

Type	A <sub>s</sub> [m <sup>2</sup> ]	Q [m <sup>3</sup> /h]		L <sub>wa</sub> [dB(A)]		X <sub>0.25</sub> [m]		Δp <sub>t</sub> [Pa]	
		min	max	min	max	min	max	min	max
VKE 200×100	0.0088	110	220	22	41	2.4	4.8	5	20
VKE 300×100/200×150	0.0144	180	350	25	42	3.1	6.0	5	20
VKE 400×100/200×200	0.0200	240	490	25	44	3.5	7.2	5	20
VKE 300×150	0.0228	280	550	26	45	3.8	7.5	5	20
VKE 500×100	0.0256	310	620	27	45	4.0	8.0	5	20
VKE 600×100/400×150/300×200	0.0311	380	760	28	46	4.5	8.9	5	20
VKE 700×100	0.0367	450	890	29	47	4.9	9.6	5	20
VKE 500×150	0.0395	480	960	29	47	5.0	10.0	5	20
VKE 400×200/800×100	0.0423	510	1030	29	48	5.1	10.4	5	20
VKE 600×150/300×300	0.0479	580	1160	30	48	5.5	11.0	5	20
VKE 500×200	0.0534	650	1300	30	49	5.8	11.6	5	20
VKE 700×150	0.0562	680	1360	30	49	5.9	11.9	5	20
VKE 800×150/600×200/400×300	0.0646	780	1570	31	50	6.3	12.8	5	20
VKE 700×200	0.0757	920	1830	32	50	6.9	13.8	5	20
VKE 500×300/1000×150	0.0813	990	1970	32	51	7.2	14.3	5	20
VKE 800×200/400×400	0.0869	1050	2100	33	51	7.4	14.7	5	20
VKE 600×300	0.0980	1190	2370	33	52	7.9	15.7	5	20
VKE 1000×200/500×400	0.1092	1320	2640	34	52	8.3	16.5	5	20
VKE 700×300	0.1147	1390	2780	34	53	8.5	17.0	5	20
VKE 800×300/600×400	0.1315	1590	3180	35	53	9.1	18.1	5	20
VKE 700×400	0.1537	1860	3720	35	54	9.8	19.6	5	20
VKE 1000×300	0.1649	2000	3990	36	54	10.2	20.3	5	20
VKE 800×400	0.1760	2130	4260	36	55	10.5	21.0	5	20
VKE 1000×400	0.2206	2670	5330	37	56	11.8	23.5	5	20
VKE 500×500	0.1370	1660	3320	35	53	9.3	18.6	5	20
VKE 600×500	0.1649	2000	3990	36	54	10.2	20.3	5	20
VKE 800×500	0.2206	2670	5330	37	56	11.8	23.5	5	20
VKE 1000×500	0.2764	3340	6670	38	57	13.1	26.2	5	20

### Explanatory notes:

Q [m <sup>3</sup> /h]	air flow
A <sub>s</sub> [m <sup>2</sup> ]	free discharge area
Δp <sub>t</sub> [Pa]	total pressure drop
L <sub>wa</sub> [dB(A)]	free discharge area
X <sub>0.25</sub> [m]	air flow range for obtaining a comfortable air velocity in the residence zone under isothermal conditions of 0.25 m/s