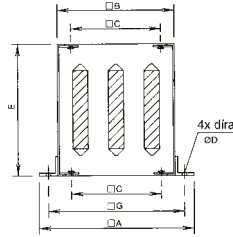


Mounting bases, tilting frames

JAA – silencer

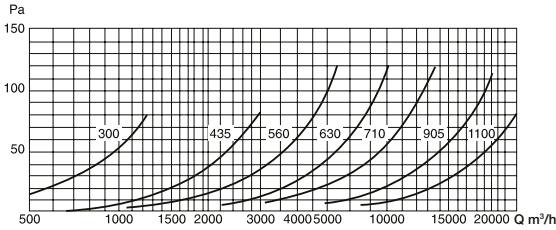


- silencer for mounting on a flat roof of the size of accessories and fixing screws
- 300 – M10 (D=13)
- 435 to 630 – M12 (D=15)
- 710 to 1250 – M14 (D=18)

| Type | □ A | □ B | □ C | E | □ G | *H |
|-------|-------|-------|-----|-------|-------|----|
| 300 | 470 | 290 | 245 | 750 | 380 | 1 |
| 435 | 600 | 420 | 330 | 750 | 510 | 2 |
| 560 | 725 | 545 | 450 | 750 | 635 | 3 |
| 630 | 795 | 615 | 535 | 750 | 705 | 3 |
| 710 | 875 | 695 | 590 | 1,000 | 785 | 3 |
| 905 | 1065 | 885 | 750 | 1,000 | 975 | 4 |
| 1,100 | 1,260 | 1,080 | 840 | 1,000 | 1,170 | 5 |
| 1,250 | 1,530 | 1,230 | 950 | 1,000 | 1,380 | 6 |

* number of dampers

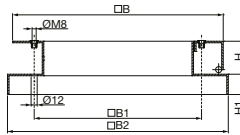
Pressure losses of individual silencer sizes



Attenuation value [dB] in octave bands [Hz]

| Type | 125 | 250 | 500 | 1000 | 2000 | 4000 | 8000 |
|----------|-----|-----|-----|------|------|------|------|
| JAA-300 | 1 | 5 | 13 | 22 | 23 | 16 | 12 |
| JAA-435 | 1 | 7 | 16 | 23 | 25 | 18 | 13 |
| JAA-560 | 2 | 8 | 16 | 29 | 32 | 26 | 17 |
| JAA-630 | 2 | 8 | 14 | 24 | 27 | 19 | 13 |
| JAA-710 | 2 | 8 | 14 | 24 | 28 | 16 | 11 |
| JAA-905 | 2 | 7 | 14 | 26 | 30 | 19 | 12 |
| JAA-1100 | 2 | 7 | 16 | 27 | 32 | 20 | 13 |

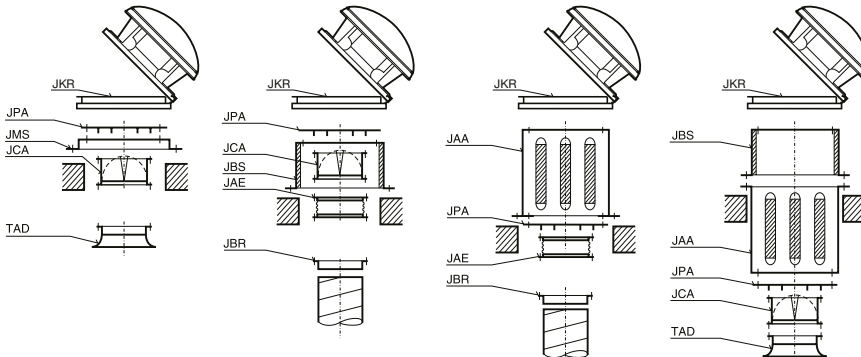
JKR – tilting frame



JKR – tilting frame

- from galvanized steel sheet
- including screws, seals and support rod
- for maintenance and cleaning of the impeller with suction nozzle
- suitable for mounting on the JBS mounting base for pitched and flat roofs or on JAA silencers

| JKR | B | B1 | B2 | H | H1 |
|---------|-----|-----|-----|----|----|
| JKR 300 | 286 | 245 | 300 | 65 | 35 |
| JKR 435 | 415 | 330 | 435 | 65 | 40 |
| JKR 560 | 540 | 450 | 560 | 65 | 40 |
| JKR 630 | 610 | 535 | 630 | 65 | 40 |



examples of the use of the JKR tilting frame