

# DFR-N – swirl anemostat with adjustable nozzles



|             |                 |                 |
|-------------|-----------------|-----------------|
|             |                 |                 |
| <b>Type</b> | <b>DFR-N-SR</b> | <b>DFR-N-SS</b> |
| DFR-N 600   | •               | •               |

### PQZ-EKO / PQZI-EKO plenum boxes

|                 |               |                       |                        |                       |                        |
|-----------------|---------------|-----------------------|------------------------|-----------------------|------------------------|
|                 | throat        |                       |                        |                       |                        |
| <b>AxA [mm]</b> | <b>Ø [mm]</b> | <b>PQZ-V EKO RE-S</b> | <b>PQZI-V EKO RE-S</b> | <b>PQZ-H EKO RE-S</b> | <b>PQZI-H EKO RE-S</b> |
| 600 x 600       | 248           | •                     | •                      | •                     | •                      |

## Technical parameters

### Version

Swirling anemostat with adjustable nozzles.

### Construction

Anemostats are made of steel sheet metal with white firing paint (RAL 9010), nozzles are white (RAL 9010), made of ABS plastic.

### Installation

Anemostats are intended for installation in the ceiling for air supply. Installation height 2.6 – 4.1 m.

### Mounting

Anemostat fixing with side screws or via central screw and mounting bracket.

### Accessories

Galvanized steel plenum boxes, standard or isolated. The boxes are equipped as standard with a regulating valve and a perforated sheet and a bracket for attaching the anemostat plate.

### Type key for ordering

DFR-N 600 SR

1 2

1 – anemostat size (600)

2 – SR – design with a circular layout

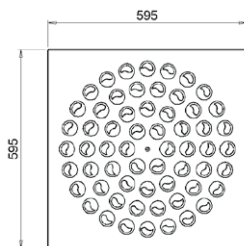
nozzles, total 60 nozzles per panel

SS – Square layout design

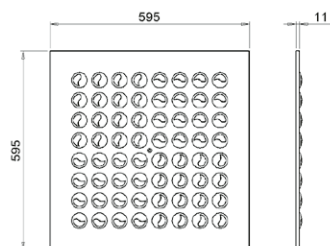
nozzles, a total of 64 nozzles per panel

### PQZ / PQZI plenum boxes

|                 |               |                   |                    |                   |                    |
|-----------------|---------------|-------------------|--------------------|-------------------|--------------------|
|                 | throat        |                   |                    |                   |                    |
| <b>AxA [mm]</b> | <b>Ø [mm]</b> | <b>PQZ-V RE-S</b> | <b>PQZI-V RE-S</b> | <b>PQZ-H RE-S</b> | <b>PQZI-H RE-S</b> |
| 600 x 600       | 248           | •                 | •                  | •                 | •                  |



DFR-N-SR



DFR-N-SS

7<sub>2</sub>

| Type         | A <sub>v</sub> [m <sup>2</sup> ] | Q [m <sup>3</sup> /h] |     | L <sub>wa</sub> [dB(A)] |     | X <sub>0,20</sub> [m] |     | Δp, [Pa] |     |
|--------------|----------------------------------|-----------------------|-----|-------------------------|-----|-----------------------|-----|----------|-----|
|              |                                  | min                   | max | min                     | max | min                   | max | min      | max |
| DFR-N-SR 600 | 0,0155                           | 170                   | 390 | 20                      | 36  | 1,7                   | 4,8 | 10       | 50  |
| DFR-N-SS 600 | 0,0165                           | 180                   | 420 | 20                      | 35  | 2,3                   | 6,2 | 10       | 50  |

### Explanatory notes:

Q [m<sup>3</sup>/h] – air flow

A<sub>v</sub> [m<sup>2</sup>] – free discharge area

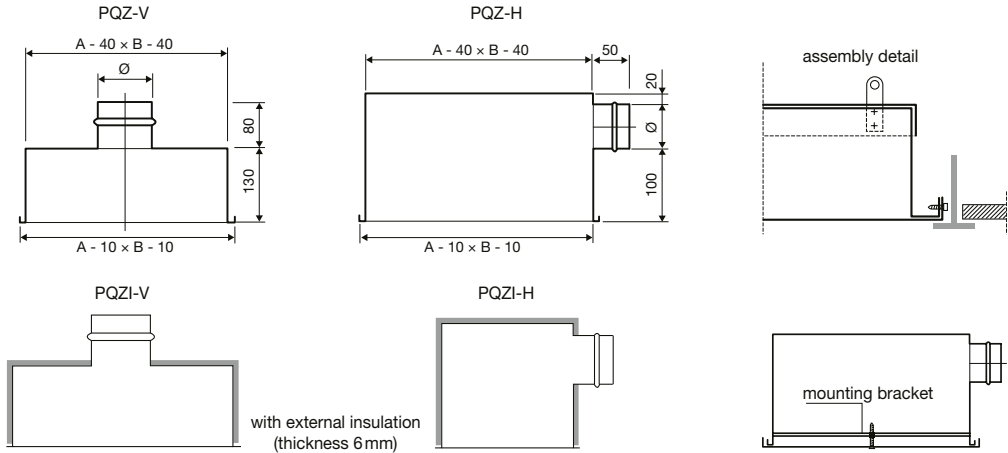
Δp, [Pa] – total pressure drop

L<sub>wa</sub> [dB(A)] – acoustic performance

X<sub>0,20</sub> [m] – air flow range to obtain a comfortable air speed in the living area under isothermal conditions 0.20 m/s

# DFR-N – swirl anemostat with adjustable nozzles

Plenum boxes PQZ / PQZI



**■ Type key for ordering**

plenum boxes PQZ / PQZI

**PQZ - V 6 0 0 RE - S**  
1 2 3 4 5

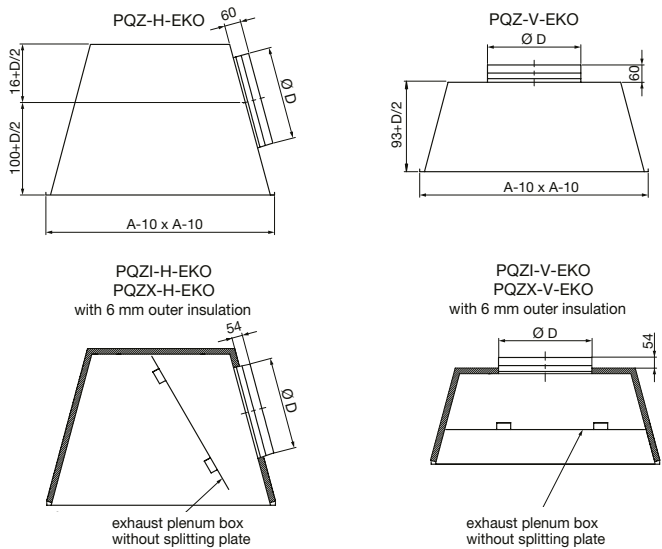
- 1 – implementation  
PQZ – standard  
PQZI – with 6 mm outer insulation
- 2 – connection  
V – vertical  
H – horizontal
- 3 – dimensional series of boxes
- 4 – RE – control damper (supply/exhaust)
- 5 – S – perforated plate (supply)

plenum boxes PQZ-EKO / PQZI-EKO

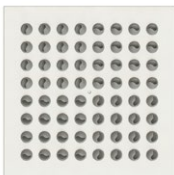
**PQZ - V - EKO 6 0 0 RE - S**  
1 2 3 4 5

- 1 – implementation  
PQZ – standard  
PQZI – with Mirelon outer insulation  
PQZX – with Armaflex outer insulation
- 2 – connection  
V – vertical  
H – horizontal
- 3 – dimensional series of boxes
- 4 – RE – control damper (supply/exhaust)
- 5 – S – perforated plate (supply)

Plenum boxes PQZ-H-EKO / PQZ-V-EKO



**Additional illustration**



DFR-N-SS