

TRW – temperature controller



A complete line of capillary flow regulators is available



proposal
and consultation
of the regulator
tel. 602 679 469

Technical parameters

■ TRW – temperature controller for MBW

- capillary power regulator for MBW 100 to MBW 250 water heaters
- consists of a regulating valve driven by a capillary sensor and a regulating knob
- regulation takes place smoothly depending on the regulation deviation
- connection size is 3/4" or 3/8"
- water temperature up to +120 °C
- maximum closing pressure is 1 bar
- maximum operating pressure is 10 bar
- maximum flow rate is 300l/hour

- temperature setting 7 °C–28 °C
- the control range and scale on the control knob is divided into 6 parts
- the length of the capillary is 5 m

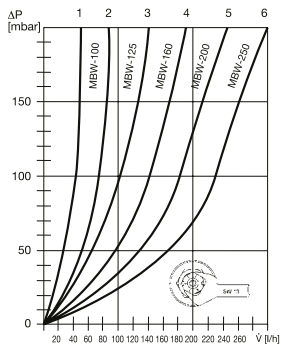
Notice:

When used to treat outdoor air, it is necessary to ensure independent blocking of the operation of the supply fan and inlet flap from the capillary antifreeze protection (see additional illustration).

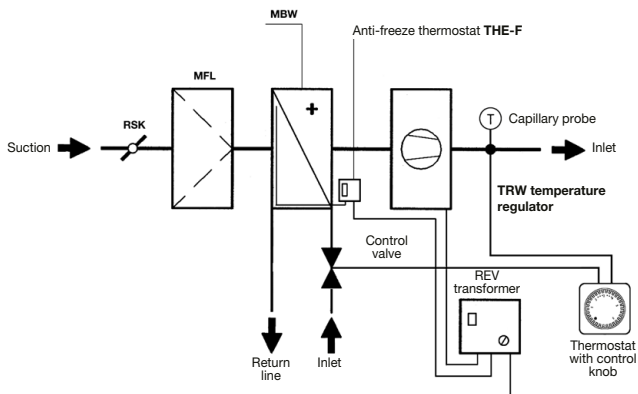
Thermostat settings:

- is carried out on the control knob – symbol of anti-freeze protection
- * – If the control knob is in this position, the thermostatic valve opens automatically when the water temperature drops below 6 °C.
- 2 – water temperature approx. 12 °C
- 3 – water temperature approx. 16 °C
- 4 – water temperature approx. 20 °C
- 5 – water temperature approx. 24 °C
- 6 – water temperature approx. 28 °C

Characteristics



Supplementary image



7¹