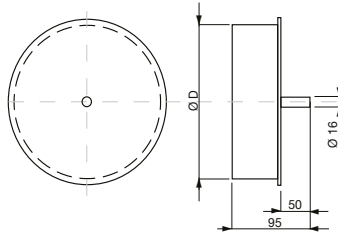


**DFLK – outer cap with condensate drain**



- made of galvanized steel sheet
- ventilation, air conditioning
- outer diameter of condensate connection 16 mm
- DFLK – external plug
- suitable for installation in vertical ductwork
- on request DRLK internal blanking plate

Type	Ø D [mm]
DFLK 100	100
DFLK 125	125
DFLK 140	140
DFLK 150	150
DFLK 160	160
DFLK 180	180
DFLK 200	200

Type	Ø D [mm]
DFLK 225	225
DFLK 250	250
DFLK 280	280
DFLK 315	315
DFLK 355	355
DFLK 400	400
DFLK 500	500

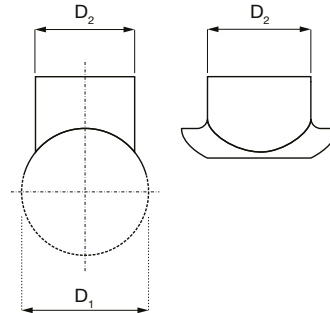
**SK – saddle piece**



SK



SKG



- the fitting is made by pressing
- ventilation, air conditioning
- connection to the pipe with self-tapping screws
- SKG – with seal

D <sub>2</sub> \ D <sub>1</sub>	100	125	140	160
80	•	•	•	•
100	•	•	•	•
125	–	•	•	•
140	–	–	•	•
160	–	–	–	•
D <sub>2</sub> /D <sub>1</sub>	200	225	250	315
80	•	•	•	•
100	•	•	•	•
125	•	•	•	•
140	•	•	•	•
160	•	•	•	•
180	•	•	•	•
200	•	•	•	•
225	–	•	•	•
250	–	–	•	•
280	–	–	–	•
315	–	–	–	•