

JAAL – mounting base with damping chamber



■ JAAL / JAAL 3 – mounting base with damping chamber

- mounting base with damping chamber for DCV roof fans CRVB-N / CRHB-N Ecowatt Plus or CTB Ecowatt Plus with adapter JPA-CTB
- for attachment to a flat roof
- hinged hatch for easy maintenance
- galvanized sheet body
- stage silencer 100 mm made of high-quality mineral wool with an abrasion-resistant non-woven fabric on the surface
- the impact silencer in the horizontal position can be easily removed
- reduces fan intake noise
- pipe connection from below JAAL (optional mounting plate with connection socket JAAL-CON 125–250)
- pipe connection from the side or front of the JAAL3 (optional mounting plate with JAAL3-CON 125–250 connection socket)
- variable connection JALL3 (three connecting holes – non-used holes blinded by JALL3-CAP)

■ Installation

- collar for mounting on a flat roof
- non-insulated plates with extension, insulated plates with extension and insulated blinds are attached with 8 pieces of M6 screws through the gasket
- the fan is attached directly to the base or using the JPA-CTB extension

Order key

J A A L - 3 0 0

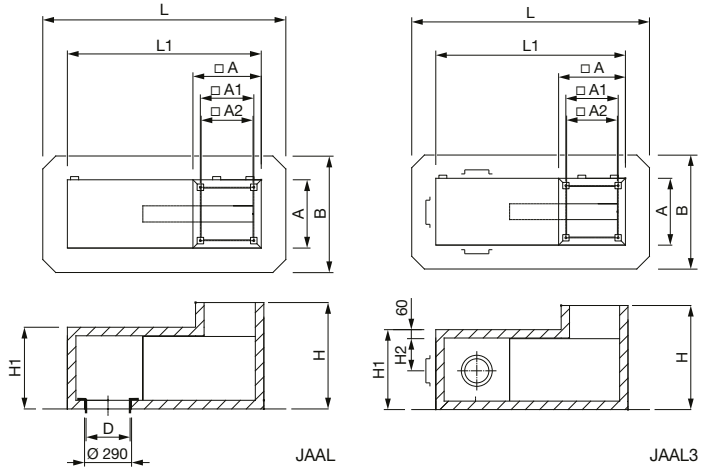
1 2

- 1 – type
- 2 – accessory size (mounting plate with connection socket as a separate accessory)

J A A L 3 - 3 0 0

1 2

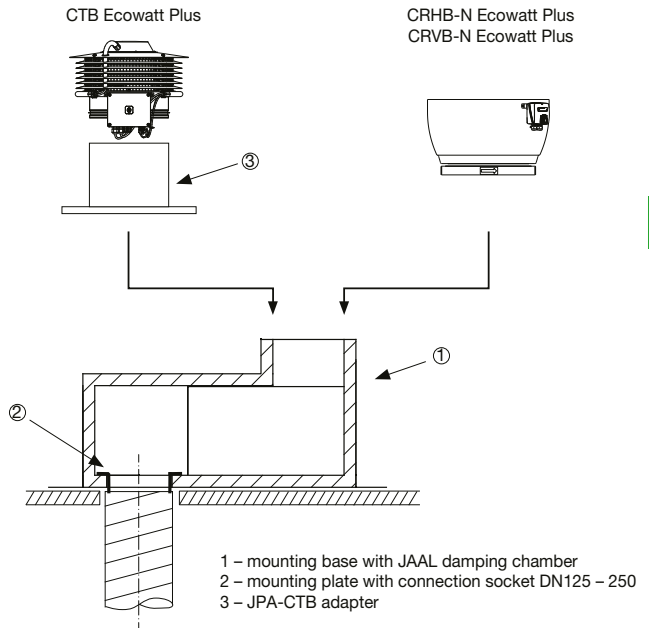
- 1 – type
- 2 – accessory size (mounting plate with connection socket or plug as a separate accessory)



Type	A [mm]	B [mm]	L [mm]	L1 [mm]	A1 [mm]	A2 [mm]	H [mm]	H1 [mm]
JAAL/JAAL3-300	289	587	1,500	1,197	245	235	1,150	1,000
JAAL/JAAL3-435	422	720	1,500	1,197	330	320	1,150	1,000
JAAL/JAAL3-560	544	842	1,500	1,197	450	440	1,150	1,000

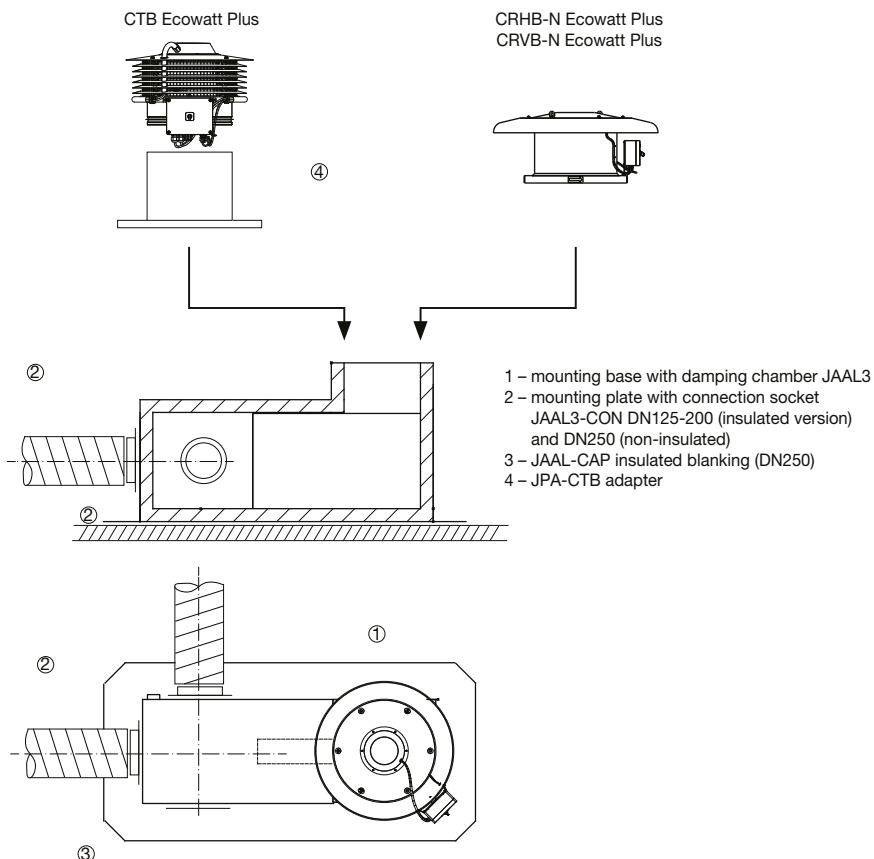
Supplementary image

JAAL



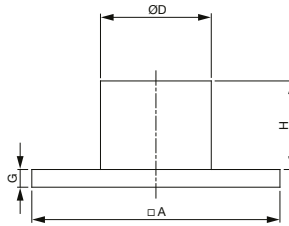
JAAL – mounting base with damping chamber

JAAL3



JAAL – mounting base with damping chamber

Accessories



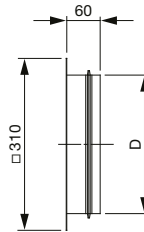
JPA-CTB

- mounting adapter with connecting pipe
- for CTB fans
- suitable in combination with mounting bases type JBS, JBS-S, JAA or JAAL
- material galvanized sheet

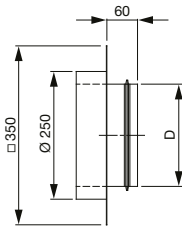
Type	A [mm]	D [mm]	H [mm]	G [mm]
JPA-CTB 435/160	435	160	200	40
JPA-CTB 435/200	435	200	200	40
JPA-CTB 560/250	560	250	200	40
JPA-CTB 560/315	560	315	200	40

JAAL-CON

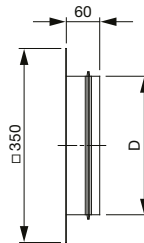
- mounting plate with connection socket equipped with a single-edged seal for connecting pipes DN 125–250
- fixing the plate to the mounting base using 8 M6 screws



Type	D [mm]
JAAL-CON 125	125
JAAL-CON 160	160
JAAL-CON 200	200
JAAL-CON 250	250



JAAL3-CON 125–200



JAAL3-CON 250

JAAL3-CON

- mounting plate with connection socket equipped with a single-edge seal for connecting pipes DN 125–200 (insulated version) and DN 250 (non-insulated)
- fixing the plate to the mounting base using 8 M6 screws

Type	D [mm]
JAAL3-CON 125	125
JAAL3-CON 160	160
JAAL3-CON 200	200
JAAL3-CON 250	250

JAAL3-CAP

- insulated blanking

Type	D [mm]
JAAL3-CAP	250

